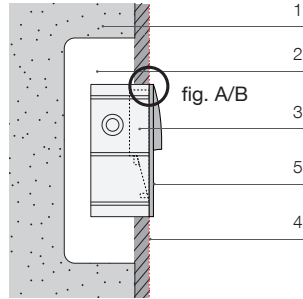


Walky

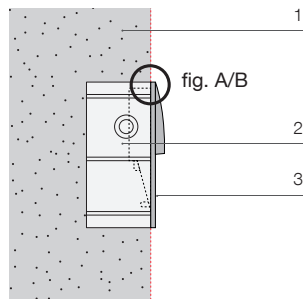
recessed luminaire

Installation on building/construction materials



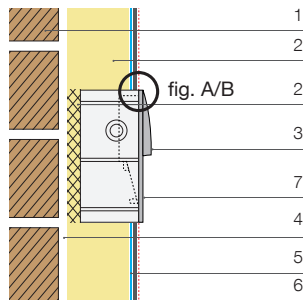
Reinforced concrete wall with an plaster/tile finish

1. Structural element in reinforced concrete
2. Housing for the frame casing with polystyrene formwork
3. Frame casing (figure B) with removable plug
4. Finishing (plaster or tile)
5. Walky device with micro flap (figure A)



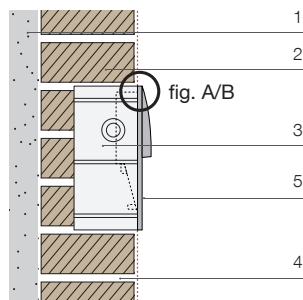
Reinforced concrete wall with bare face finish

1. Structural element in reinforced concrete
2. Frame casing (figure B) with removable plug
3. Walky device with micro flap (figure A)



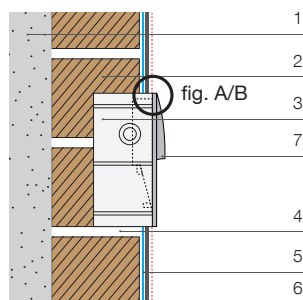
Brick wall with insulation and plaster finish

1. Structural element in perforated bricks
2. Standard insulating panel and additional insulating panels
3. Frame casing (figure B) with removable plug
4. Mortar
5. Net and scraping with mortar (about 10mm)
6. Finishing (plaster)
7. Walky device with micro flap (figure A)



Solid brick wall with bare face finish

1. Reinforcement element of variable thickness (concrete, bricks, ..)
2. Structural element in solid bricks
3. Frame casing (figure B) with removable plug
4. Mortar
5. Walky device with micro flap (figure A)



Brick wall and plaster finish

1. Reinforcement element (concrete, bricks, ..)
2. Structural element in perforated bricks
3. Frame casing (figure B) with removable plug
4. Mortar
5. Net and scraping with mortar
6. Finishing (plaster)
7. Walky device with micro flap (figure A)

Walky

recessed luminaire

Functional elegance

Figure A: Walky is fitted with a micro flap that perfectly covers the thickness of the outer casing to ensure a clean and elegant final effect.

Figure B: to ensure correct installation of the product on the outer casing, Walky must be mounted flush or with minimum protrusion from the finished wall.

For more information, see the instruction sheet.

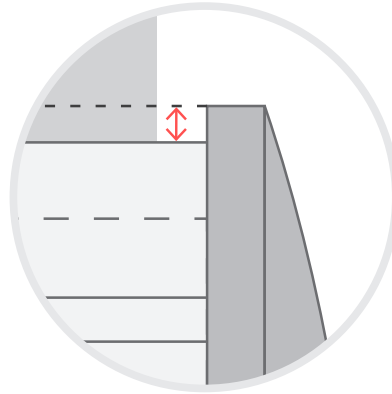


Figure A

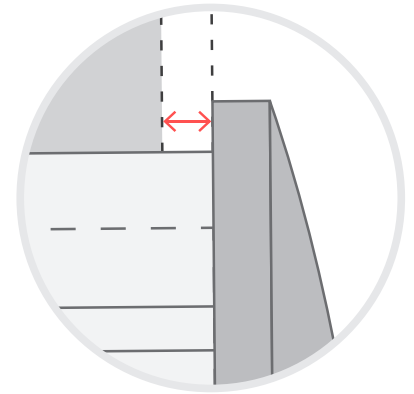
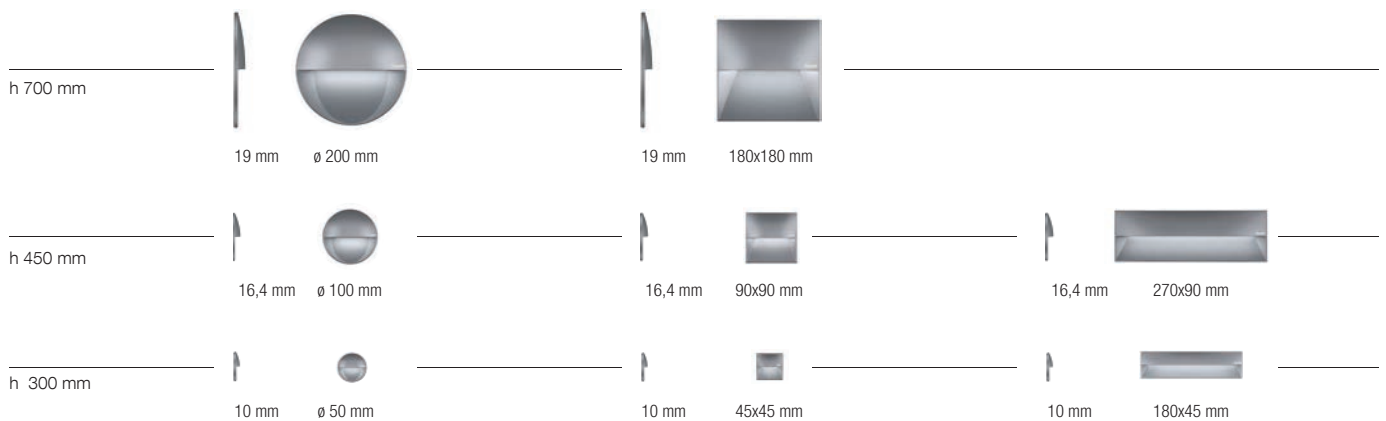


Figure B

Suggestions for installation heights

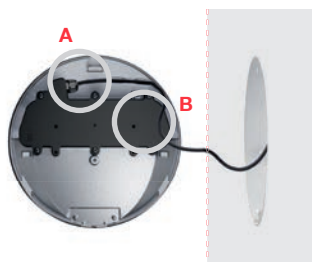
h = recommended installation height (from the ground) for correct lighting



IP66 Total protection

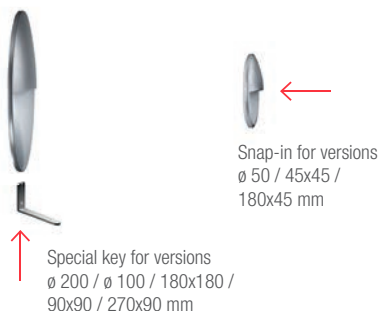
A: Complete with plastic cable gland and outlet cable.

B: Total protection of LED and driver, guaranteeing IP66 during and after installation.



Maintenance

We have researched different types of installation/maintenance according to application. Extremely simple and tool-free (Snap-in) for smaller versions, ideal for residential contexts. With the insertion of a special key for urban areas, so they are vandal and tamper-resistant.



Installation Video

For more installation information we suggest you take a look at the Walky installation video:

iguzzini.com/walky-installation-video

