

FORWARD 2026

FORWARD 2026

PRODUCTS	8
Laser Evo	10
Sipario	20
Tack	26
iN45	30
iPlan Next	32
Newfo	34
iGuzzini Echoes	36
Cespuglio	38
Clan	40
Newfo InOut	42
iWay Velvet	46
Genea	50
Palco InOut	54
Cryso	58

**Together,
we light up the liveliest cities,
museum rooms, great works of art;
we light up the most outstanding architecture,
as well as places where the purchasing
experience is an art form too.
We light up the most beautiful spaces
to live and work in, the world over.
No project is too big or too small.
We light up the future. And we do it by creating
settings that inspire. Intelligent, safe, innovative.**

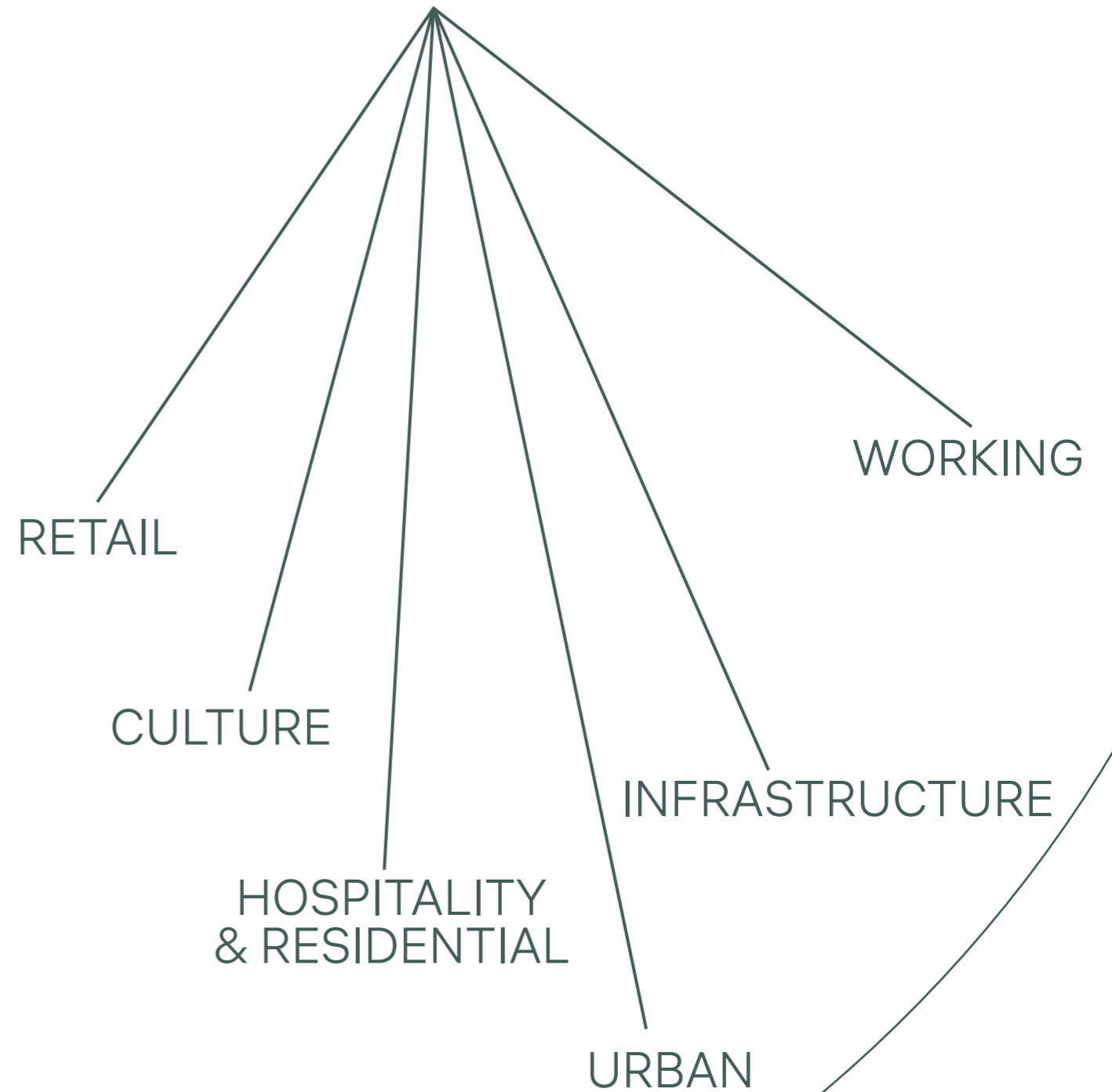
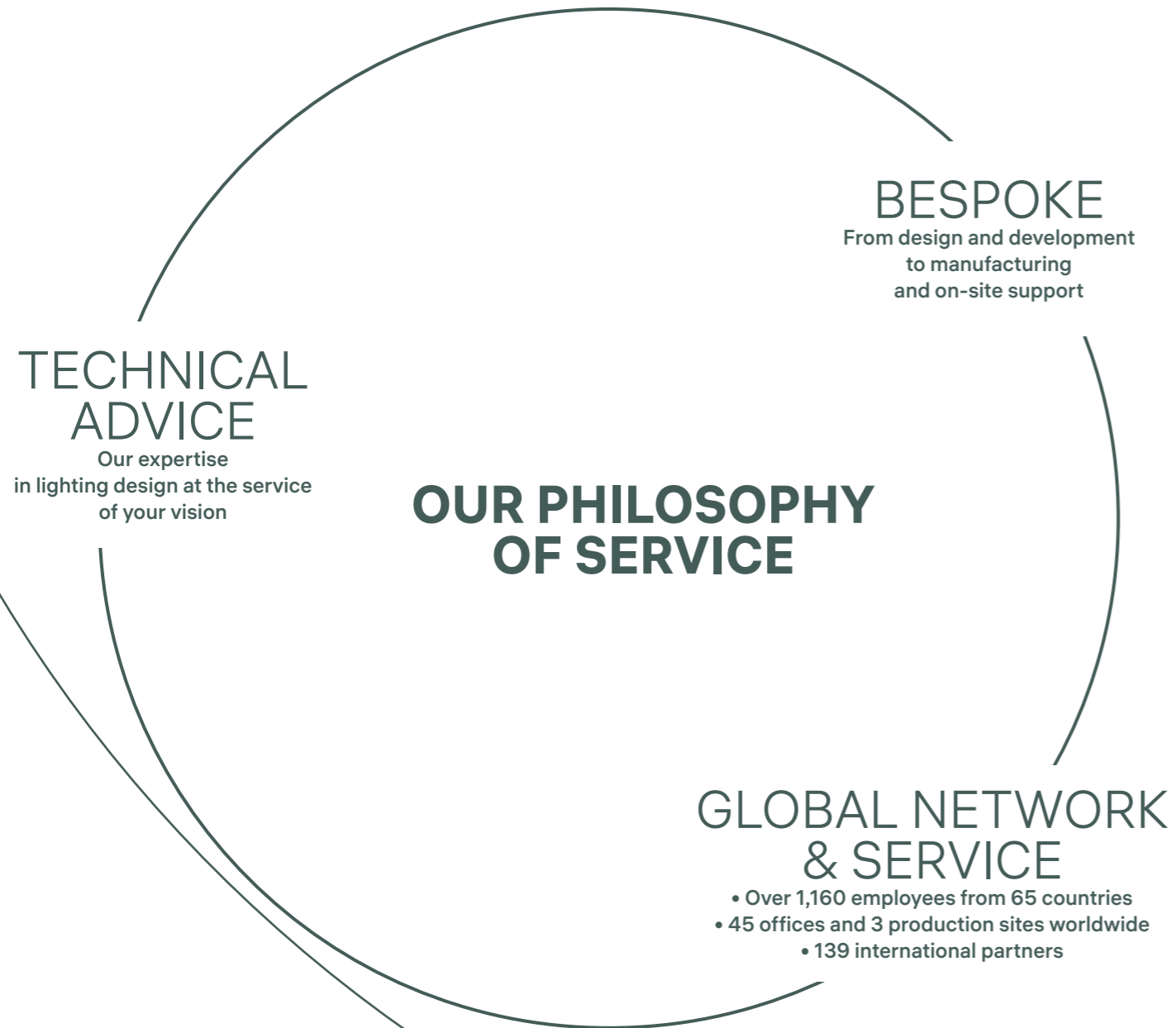
**We are iGuzzini, and we believe in social
innovation - that's our vision. It means creating
more spaces that are more liveable, more
responsible and more sustainable, incredible and
unique spaces for everyone, wherever they are.
We believe in light that moves the world
and the soul.
Light that transforms spaces, culture and ideas.
Light that moves us forward.**

**LIGHT
THAT MOVES**



We are committed to fostering a culture of light through design, innovation and responsible practices, offering unique solutions to improve the quality of life of people and the planet.

We conceive, design and create lighting solutions for:



PRODUCTS

The new products for 2026 reflect who we are: with a focus on aesthetics, performance, and a passion for design and technological innovation, our goal is to improve people's well-being and safeguard the future of our planet.

LASER EVO

Endless collection, endless comfort



LASER EVO

Endless collection, endless comfort



In 2012, we revolutionised the concept of downlights with Laser Blade: the light is liberated throughout the space as the light source disappears from view, offering unparalleled visual comfort.

Today, Laser Evo ushers in a new era: visual comfort achieved through endless design possibilities for dimensions, styles and finishes, conceived to blend seamlessly with the architecture whilst also lending a distinctive character to spaces.

LASER EVO

design iGuzzini

Endless collection, endless comfort

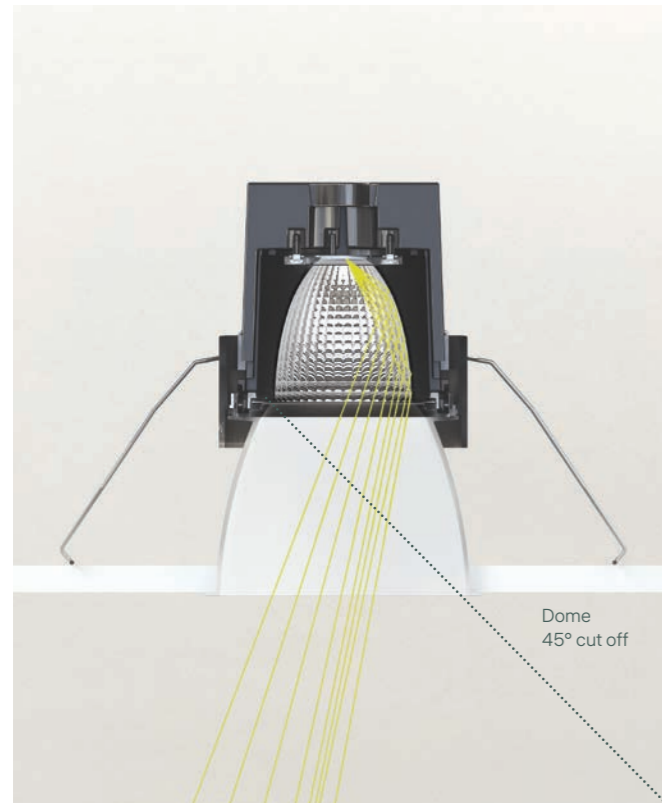
With more than a million design options, Laser Evo brings the technological magic of Laser Blade and its visual comfort to a highly flexible and modular system, capable of adapting to any design requirement through a combination of shapes, sizes, finishes and optic technologies – whether lens or reflector. Designed for retail, hospitality and residential environments, it combines versatility, compactness, high-quality lighting and outstanding performance. With diameters ranging from Ø17 to Ø153 mm, luminous flux from 100 to 4000 lumens and IP65-rated versions, it is suitable for both intimate spaces and large-scale settings. In the larger diameters, the innovative Push&Go system (patent pending) allows refractors and optical accessories to be replaced quickly and safely, with a simple gesture. Intelligent lighting management, via DALI-2, Casambi or an invisible RF sensor integrated into a false ceiling, optimises visual comfort and energy efficiency. Smart services, such as push notifications via the Jiminy app, enhance interaction with spaces and people.

Up to UGR <10

More than 1,000,000 combinations

Efficiency of up to 145lm/W

Completely invisible smart sensor



LASER EVO

up to 145 lm/W
up to 4000 lm
Ø17 | 25 | 40 | 59 | 75 | 96 | 125 | 153 mm
Lens | Reflector
SS | S | M | F | WF | WW
2400K | 2700K | 3000K | 3500K | 4000K | Tunable Warm (1800 ÷ 4000K)
CRI90 | CRI97 | CRI90 HE
Class I | II | III

IP20 | IP44 | IP65
On/Off | DALI-2 | Casambi | Phase-cut | 0-10V | HF Organic Response sensor node | HF Casambi sensor

Intelligent Light Solutions

Smart controls:
Organic Response (control + sensor)
Quick BLE (Casambi)
Quick DALI
Master Pro Evo
Smart services:
Space management |
Jiminy - Push notification

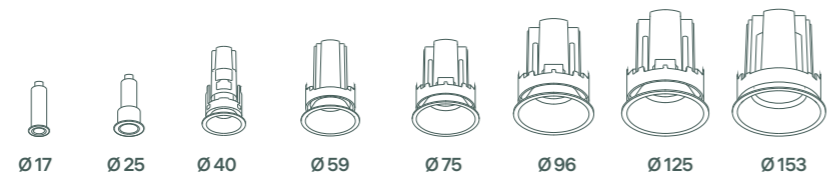


6 sizes (Ø17/25/40/59/75/96mm) of recessed frames with reflectors, visit our website. Available with lens from May 2026, frameless recessed versions available from December 2026
2 sizes (Ø125/153 mm) in the recessed version will be available from November 2026
2 sizes (Ø59/75 mm) in pendant, ceiling-mounted, low-voltage track and multiple versions available from November 2026





1. Flush trim kit | 2. Volcano trim kit | 3. Frames for multiple plates: 1x, 2x, 3x | 4. Heat sink
 5. LED | 6. Reflector / Lens | 7. Spacer ring | 8. Protective glass / Oval lens / Soft lens / Opti Beam refractor
 9. Coloured filters | 10. Honeycomb | 11. Mechanical support | 12. Cone | 13. Squirgle | 14. Dome
 15. Dome Space | 16. Soft | 17. Soft Space | 18. Wall Washer | 19. Tilted | 20. Easy Adjustable
 21. Double Adjustable | 22. Shallow



	Ø17	Ø25	Ø40	Ø59	Ø75	Ø96	Ø125	Ø153
CONE	•	•	•	•	•	•	•	•
DOME				•	•	•		
DOME SPACE				•	•	•		
SOFT				•	•			
SOFT SPACE				•	•			
SQUIRCLE			•	•	•			
WALL WASHER			•	•	•	•	•	•
TILTED				•	•	•		
EASY ADJUSTABLE			•	•	•	•	•	•
EASY ADJUSTABLE PUSH&GO							•	•
DOUBLE ADJUSTABLE			•	•	•	•		
SHALLOW					•			



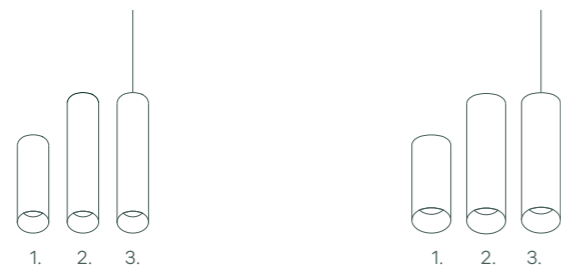
Ø59

Ø75

	Ø59	Ø75
CONE	•	•
DOME	•	•
TILTED	•	•
EASY ADJUSTABLE	•	•
DOUBLE ADJUSTABLE	•	•

ORIENTABILITY

The adjustable versions allow for a tilt of up to 35° and a rotation of up to 358°, with consistent lumen output levels across both the fixed and adjustable versions.



Ø59

Ø75

	Ø59	Ø75
CONE	•	•
DOME	•	•

1. Ceiling light (Class III) without driver / 2. Ceiling light with driver / 3. Pendant, also available for LV tracks

Finishes



Available in 8 sizes and 5 versions — Fixed, Adjustable, Tilted, Shallow and Wall Washer — Laser Evo offers supercomfort Fixed configurations in the following shapes: Cone, Dome, Dome Space, Soft, Soft Space and Squircle. All versions are compatible with smart control systems.

1. Cone | 2. Squircle | 3. Dome | 4. Soft
5. Dome Space | 6. Soft Space | 7. Wall Washer | 8. Tilted
9. Easy Adjustable | 10. Double Adjustable | 11. Shallow



1.



2.



3.



4.



5.



6.



7.



8.



9.



10.



11.

SIPARIO

design iGuzzini

Mains voltage & Low voltage

Sipario is expanding its range, with new versions designed for projects requiring precise, controlled lighting, from exhibition and cultural spaces to the hospitality sector. The family introduces Beamer and Framer, in both MV and LV versions, with the LV range now also available on Filorail tracks. Beamer enables the light beam to be adjusted according to requirements, whilst Framer is designed for applications that require advanced light shaping. In the LV version, the new configuration with an arm allows objects and wall surfaces to be illuminated. The RGBW version (Ø122 mm) in the MV introduces dynamic colour scenes. The patented Push&Go system (patent pending) enables flat accessories and plates for the Opti Beam Lens to be fitted simply by hand, without the need for tools. The lighting is managed via DALI-2 and Casambi, as well as the Casambi track sensor (also compatible with LV and Filorail), allowing dimming, automation and illuminating particular scenes, for greater comfort and energy efficiency.

**New versions:
Beamer and Framer**

Miniaturization

Easy to repair

**Push&Go system
(PATENT PENDING)**



SIPARIO LV - Beamer/Framer/Rod

up to 65 lm/W (Class III)
from 160 to 1800 lm
Ø22 | 40 | 86 mm
Opti Beam Lens
M | WF (Rod version) / Beamer / Framer
2700K | 3000K | 3500K | 4000K
CRI92 | CRI97
Class III
DALI Powerline | Casambi

SIPARIO LV - Filorail

up to 120 lm/W (Class III)
from 115 to 2400 lm
Ø22 | 40 | 56 | 73 | 86 mm
Opti Beam Lens | Opti Beam Reflector
SS | S | M | F | WF | VWF | WW / Beamer / Framer
2700K | 3000K | 3500K | 4000K
CRI92 | CRI97
Class III
DALI Broadcast | DALI Powerline | Casambi

SIPARIO MV - Beamer/Framer/RGBW

up to 60 lm/W
from 160 to 1800 lm
Ø40 | 86 | 122 mm
Opti Beam Lens
F | WF | VWF | WW / Beamer / Framer
2700K | 3000K | 3500K | 4000K | TW | RGBW
CRI92 | CRI97
Class I | II
DALI-2 | Casambi

Intelligent Light Solutions

Smart accessory for LV/Filorail tracks:

Casambi sensor

Smart accessory for MV tracks:

Casambi sensor

Casambi | DALI interface

Organic Response sensor node

Smart controls:

Organic Response (control + sensor)

Quick BLE (Casambi)

Quick DALI

Smart services:

Space management |

Jiminy - Push notification





The Framer version shapes the light with absolute precision, creating sharp, adjustable patterns. The built-in zoom function enables the beam to be adjusted whilst maintaining optimum clarity of the optic, as well as precise control over the detail.





BEAMER VERSION

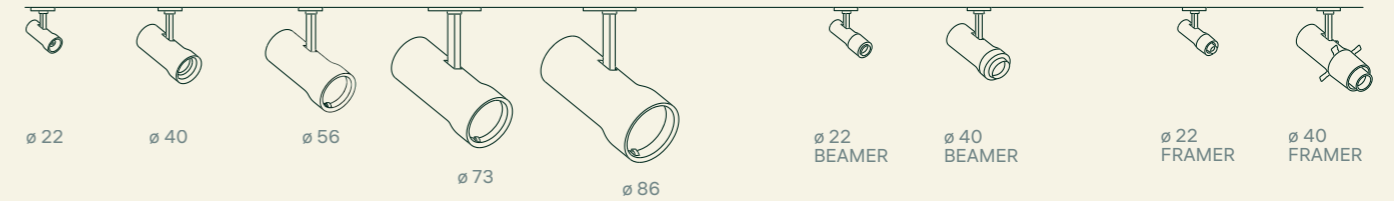
Available in LV and MV versions, Beamer comes in a range of sizes, from the compact Ø22 mm to the larger Ø86 mm, to suit a variety of design requirements, with the flexibility to adjust the light beam to suit the object being illuminated.



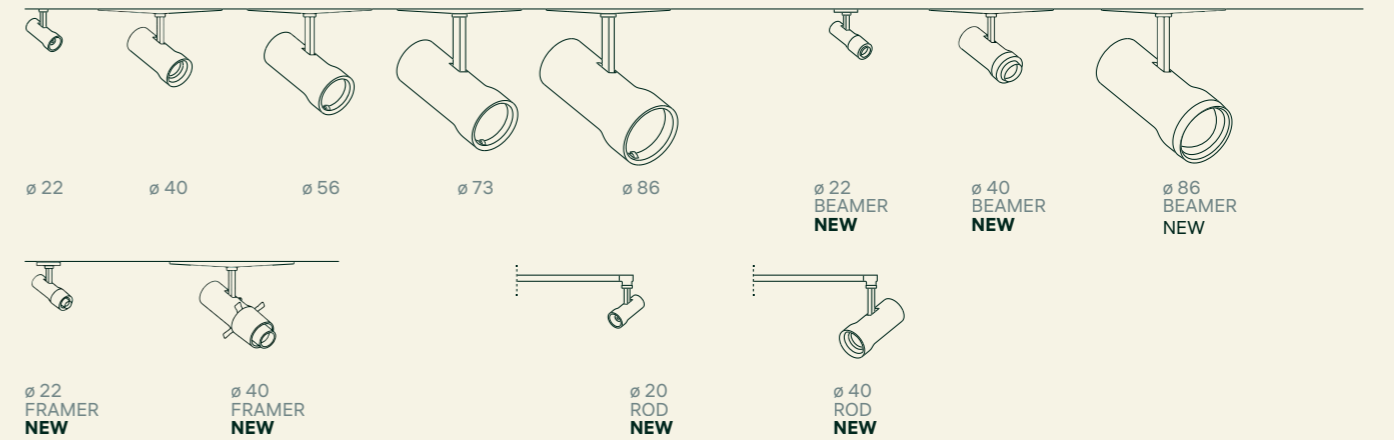
BEAMER EFFECT

Beamer allows the beam angle to be adjusted, maintaining uniformity and optical clarity. A ring on the front enables the cone of light to be adjusted with a simple hand movement, without the need for tools, ensuring maximum flexibility in use.

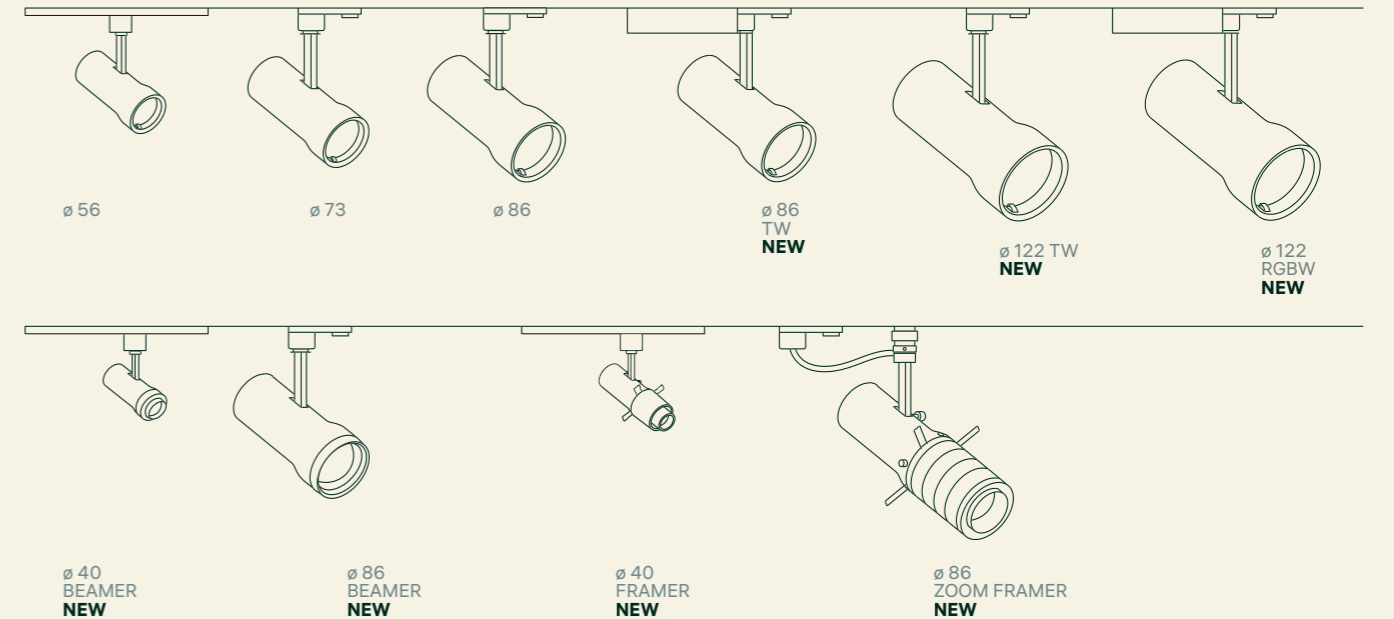
FOR FILORAIL | NEW



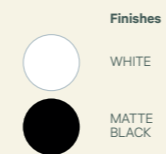
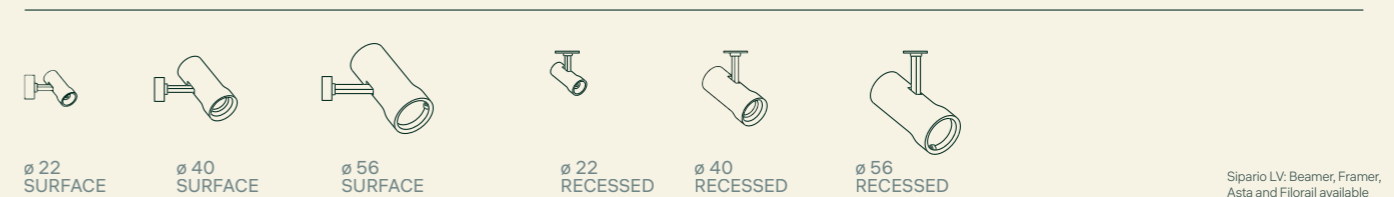
FOR LOW VOLTAGE TRACK



FOR MAINS VOLTAGE TRACK



SURFACE AND RECESSED



Sipario LV: Beamer, Frammer, Asta and Filorail available from April 2026
Sipario MV: Beamer, Frammer available from April 2026

TACK

Shaping performance

design iGuzzini

Tack has evolved from a spotlight into a complete lighting system for retail, expanding its range with new recessed, ceiling and pendant versions. Available in three sizes, it ensures consistency across the range as well as design flexibility, adapting to a variety of installation, layout and lighting accent requirements. Dual optic technology, with either a lens or a reflector, ensures versatility and excellent performance, whilst always maintaining excellent visual comfort. The recessed version can be installed on single or multiple panels, with up to three lighting units. The potential to use up to two accessories simultaneously allows for precise control of the beam and lighting effect, whilst easy-to-replace drivers and LED circuits simplify maintenance and repairs over time, supporting a circular approach. For advanced lighting management, the DALI protocol enables dimming and advanced control, enhancing visual comfort and energy efficiency.

Complete coordinated system

Lens / Reflector with various accessories

Easy to maintain and repair

Efficiency of up to 178 lm/W



TACK

up to 178 lm/W
 from 1800 lm to 4000 lm
 Ø60 | 80 | 90 mm
 Lens | Reflector
 SS | S | M | F | WF
 3000K | 3500K | 4000K
 CRI90
 Class I | II

IP20
 On/Off (only for pendant) | DALI-2
 Switch power (only for pendant)

Intelligent Light Solutions

Smart controls:
 Organic Response (control + sensor)
 Quick BLE (Casambi)
 Quick DALI
 Master Pro Evo
Smart services:
 Space management |
 Jiminy - Push notification



Tack: Recessed versions available from April 2026, suspension and ceiling available from May 2026





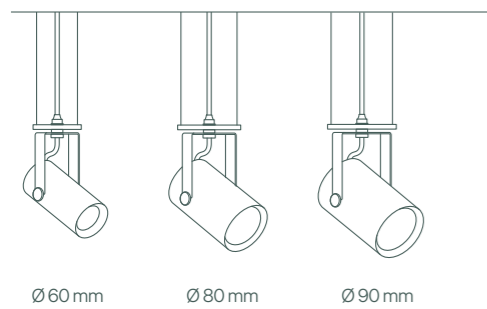
LIGHTING CONTROL

The recessed version is extractable, with a rotation range of 355° and a tilt range of up to 80°, ensuring precise aiming and maximum flexibility of positioning.

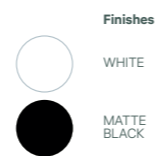
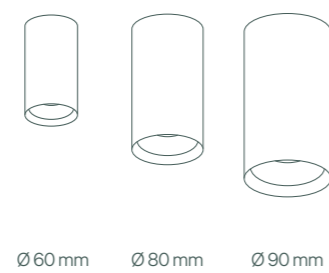
SIMPLIFIED FUNCTIONS

In the Ø80 mm and Ø90 mm models with pendant mounting configuration, the rear manual switch allows the light output to be easily adjusted on site.

Tack pendant



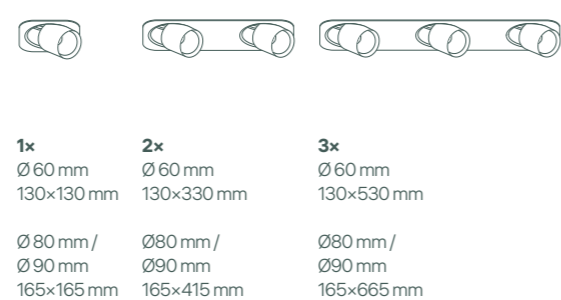
Tack ceiling



Tack recessed



Tack recessed, multiple versions



IN45

Linear precision

design iGuzzini

iN45 redefines the concept of linear lighting for workspaces and professional environments, combining efficiency, optical control and modularity. Available in various lengths in both Stand-Alone and System versions, it offers maximum design flexibility with four installation options: recessed, surface-mounted and pendant, with the option of integration with modules fitted with an MV track. The four optic types — Raster, Office, Opal and Wall Washer — enable the user to switch from high glare control (UGR<19) for work-related applications to diffuse more light for meeting rooms and retail spaces, right through to dedicated vertical lighting. With an efficiency of up to 150 lm/W, it ensures visual comfort and uniform lighting. Designed for use with smart control systems, it supports DALI-2, Casambi and Organic Response, with integrated sensors for automatic control and energy saving. Easy to repair and built to last, iN45 combines performance and flexibility for contemporary indoor projects.

System and stand-alone versions

4 types of installation

Efficiency of up to 150 lm/W

Integrated smart sensors



IN45

up to 150 lm/W
 up to 3300 lm
 600 | 1200 | 2400 mm
 Office screen | Opal screen | Raster | Wall Washer
 UGR<19 | GL | WW
 3000K | 4000K
 CRI90
 Class I

DALI-2 | Casambi | Organic Response sensor node | DALI-2 sensor | Casambi sensor | DALI Emergency 3h

Intelligent Light Solutions

Smart controls:
 Organic Response (control + sensor)
 Quick BLE (Casambi)
 Quick DALI
 Master Pro Evo
Smart services:
 Space management | Jiminy - Push notification



Finishes



iN45 available from October 2026



IPLAN NEXT

Dynamic balance

design iGuzzini

iPlan Next takes professional lighting for workspaces and retail environments to the next level thanks to backlight technology, which directs light downwards, refining the concept of the perimeter panel. With an efficiency of up to 157 lm/W, it provides uniform, comfortable lighting with excellent glare control. Three installation types (recessed, ceiling-mounted and pendant) and two configurations (square or rectangular) ensure considerable design flexibility. The lighting management system is tailored to dynamic, functional spaces. It is available in an On/Off version, or with advanced control via DALI-2 and Casambi protocols. Offering integration with Organic Response smart sensors, it enables automatic switching and dimming and the creation of specific lighting scenarios to optimise visual comfort, personalisation, and energy efficiency. The minimalist, functional design completes a reliable, high-performance solution for contemporary professional spaces.

UGR<19
Controlled luminance

3 types of installation

Efficiency of up to 157 lm/W

Integrated smart sensors



IPLAN NEXT

- up to 157 lm/W
- up to 4250lm
- 600x600 | 625x625 | 1200x300 mm
- Back light
- UGR<19 L3000 cd/m2 at 65°
- 3000K | 4000K
- CRI90
- Class II
- On/Off | DALI-2 | Casambi | Organic Response sensor node | DALI-2 sensor | Casambi sensor

Intelligent Light Solutions

- Smart controls:**
- Organic Response (control + sensor)
- Quick BLE (Casambi)
- Quick DALI
- Master Pro Evo
- Smart services:**
- Space management | Jiminy - Push notification



iPlan Next: DALI – visit our website for more information
iPlan Next: On/Off, Casambi available from May 2026



NEWFO

Squirrelle attitude

design iGuzzini

Newfo is expanding its range with new recessed and surface-mounted versions, broadening the scope of applications in hospitality and residential settings, from hotel rooms to relaxation and reception areas. Available in three sizes, it offers excellent design flexibility thanks to three installation options — recessed, surface-mounted and track-mounted — in either a track-mounted spotlight or pendant version.

In the pendant configuration, the elegant brass mount ensures adjustability and long-term stability of the point of light. The Opti Beam system, available with either a lens or a reflector, enables the user to select the best beam for the desired effect, ensuring uniform and comfortable lighting. With an efficiency of up to 115 lm/W and colour temperatures ranging from 2700K to 4000K, Newfo creates cosy atmospheres with a minimalist yet distinctive aesthetic, defined by its squirrelle design. The versions with DALI or Casambi control systems simplify lighting management and allow for complete customisation of the user experience, whilst also optimising energy efficiency.

Distinctive squirrelle design

3 types of installation

Efficiency of up to 115 lm/W

Integrated smart sensors



NEWFO

- up to 115 lm/W
- up to 2500 lm
- Ø62 | 88 | 116 mm
- Opti Beam Lens | Opti Beam Reflector
- S | M | F | WF
- 2700K | 3000K | 3500K | 4000K
- CRI90
- Class III
- DALI-2 | Casambi
- *Power supply to be ordered separately

Intelligent Light Solutions

- Smart controls:**
- Organic Response (control + sensor)
- Quick BLE (Casambi)
- Quick DALI
- Master Pro Evo
- Smart services:**
- Space management | Jiminy - Push notification



- | Body finishes | | Frame finishes | |
|---|-------------|--|--------------|
|  | WHITE |  | BLACK |
|  | MATTE BLACK |  | BRASS |
|  | TITANIUM |  | TITANIUM |
| | |  | MATTE COPPER |



Newfo: recessed, surface - Visit our website for more information





From the moment the company was established, through each of our different eras and challenges, design has remained a way of thinking that guides everything we do, from products and processes to people, in order to promote social innovation.

The echoes of our past contain the timeless beauty of Italian design, and breathing new life into them is something truly unique. iGuzzini Echoes: icons of iGuzzini's heritage, created by the masters who shaped the history of design and embodying a vision of ethical and aesthetic rebirth.

Designs that strike a perfect balance between the present and the future to and which perfectly embody the timeless elegance of Italian beauty.



Zurigo
1966 Design Luigi Massoni



Clan
1968 Design Harveiluca



Polsino
1968 Design Gio Ponti



Cespuglio
1969 Design Ennio Lucini



Nitia
1971 Design Rodolfo Bonetto



Sorella
1972 Design Harveiluca



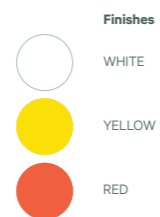
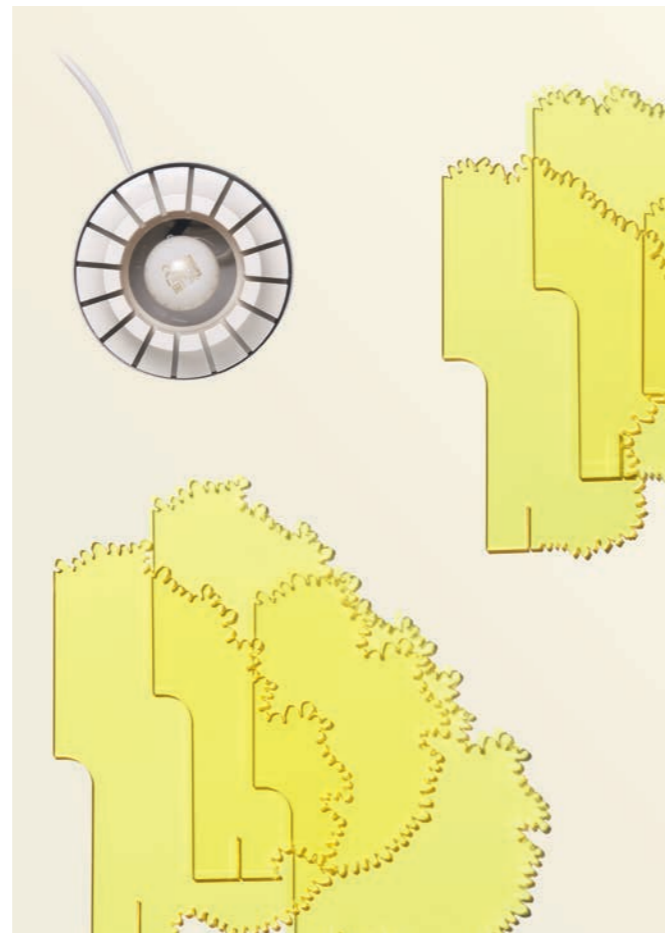
iGuzzini Echoes,
a reissue of iGuzzini's iconic designs

CESPUGLIO

design Ennio Lucini, 1969 | re-edition 2026

Designed by Ennio Lucini in 1969, Cespuglio returns in 2026 in a reissue that preserves the radical identity of the original. From the very beginning, the aim was clear: to create a table lamp that not only provides light but also stands out as a piece of home décor. A distinctive object, the light from which strikes the edges of the individual leaves, emerging along their outer contours and creating an intense, vibrant glow. The overlapping petals create a dynamic shape, where the reflections and depth enhance the perception of three-dimensionality. The leaves of the Cespuglio, originally made from methacrylate – a material that at the time symbolised modern, futuristic design – are now produced using recycled plastic, which is also fully recyclable. Available in white, yellow and red finishes, it reinterprets the experimental design language of the 1960s and 1970s with a striking presence and a contemporary sensibility.

iGuzziniEchoes



Cespuglio available from April 2026

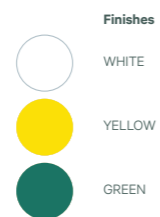


CLAN

design Harveiluce, 1968 | re-edition 2023

Designed by Harveiluce in 1968, the Clan lamp returns in a reissue that retains the power of its iconic shape whilst incorporating contemporary lighting technology. A design that has become an integral part of everyday life, establishing itself as a benchmark of Italian design culture, and which today adapts to contemporary interiors whilst offering enhanced performance and advanced craftsmanship. Available in pendant, floor or table versions, it maintains a consistent design aesthetic in every configuration and produces a soft, even light, ensuring visual comfort and a balanced presence in the space. Available in white, yellow and green finishes, Clan reinterprets its original identity with a contemporary sensibility, striking a delicate balance between tradition and innovation.

iGuzzini Echoes



Visit our website for more information



NEWFO INOUT

Squirrelle attitude

design iGuzzini

Newfo InOut brings Newfo's design aesthetic to outdoor spaces, offering superb performance for hospitality and residential settings. Available in three sizes, it offers great flexibility across a wide range of applications. The Opti Beam optics, available in lens or reflector versions, offer 18 light distribution options, ranging from super-spot to blade, with an integrated honeycomb grid for advanced glare control; meanwhile, the accessories on the front further expand the potential for directing the light. The Mix&Match system allows for up to 50 colour combinations, pairing 5 body finishes with 10 raster finishes to create a sophisticated colour scheme. The junction point, designed as an architectural feature, allows for multiple cable outlets and conceals the wiring, ensuring both elegance and safety. Smart control options, including DALI-2 and Casambi, support advanced lighting management, combining performance and flexibility in contemporary outdoor projects.

Up to 18 optics and an integrated honeycomb

Up to 50 finish combinations

Concealed internal wiring

Efficiency of up to 125 lm/W



NEWFO INOUT

up to 125 lm/W
 up to 3000 lm
 76x76 | 98x98 | 125x125 mm
 Opti Beam Lens | Opti Beam Reflector
 SS | S | M | F | WF | VWF | L | SS-HC |
 S-HC | M-HC | WF-HC | VWF-HC
 2200K | 2700K | 3000K | 3500K |
 4000K

CRI80 | CRI90
 Full Remote (76x76, 98x98,
 125x125) | Integral (125x125)
 DALI-2 | Casambi

Intelligent Light Solutions

Smart controls:
 Quick BLE (Casambi)
 Quick DALI
 Master Pro Evo
Smart services:
 Jiminy - Push notification



Newfo InOut:
 3 sizes (076/98/125 mm)
 available from May 2026





ADVANCED OPTIC TECHNOLOGY

Opti Beam Lens and Opti Beam Reflector ensure precise, professional beam control..



OPTIC ACCESSORIES

The external optic accessories echo the product's design language, integrating function into the design.



Body finishes		Frame finishes	
	WHITE		WHITE
	GREY		GREY
	BLACK		BLACK
	RUST BROWN		RUST BROWN
	GREEN		GREEN
			SHINY BLACK
			SHINY COPPER
			SHINY SAND
			SHINY LEAD
			SHINY URBAN BRONZE



IWAY VELVET

Guided comfort

design Jean-Michel Wilmotte

iWay Velvet enhances visual comfort in outdoor lighting for the hospitality sector and urban settings, combining elegance with professional performance. Available in three heights, it provides controlled, glare-free lighting designed to highlight surfaces without any upward light spill. The range offers two interpretations: a minimal version with direct downward light distribution, and a variant featuring a designed transition between head and pole, where the texture inspired by parallel screw threading captures the light and generates shadow vibrations, enhancing the bollard's nighttime identity. Two optics further enhance the application flexibility: 360° symmetrical and 180° asymmetrical distribution. Three internal stainless steel rods ensure strength and vandal resistance. The DALI-2 protocol enables intelligent lighting control, optimising visual comfort and energy savings.

Maximum glare control

2 light distributions

Distinctive texture design

Maximum strength



IWAY VELVET

- up to 55 lm/W
- up to 715 lm
- Ø180 mm
- H pole: 300 | 600 | 900mm
- Øpole: 90 mm
- 360° | 180°
- 2200K | 2700K | 3000K | 4000K

- CR180
- Integral
- DALI-2

Intelligent Light Solutions

- Smart controls:
- Quick DALI
 - Master Pro Evo

iWay Velvet available from June 2026



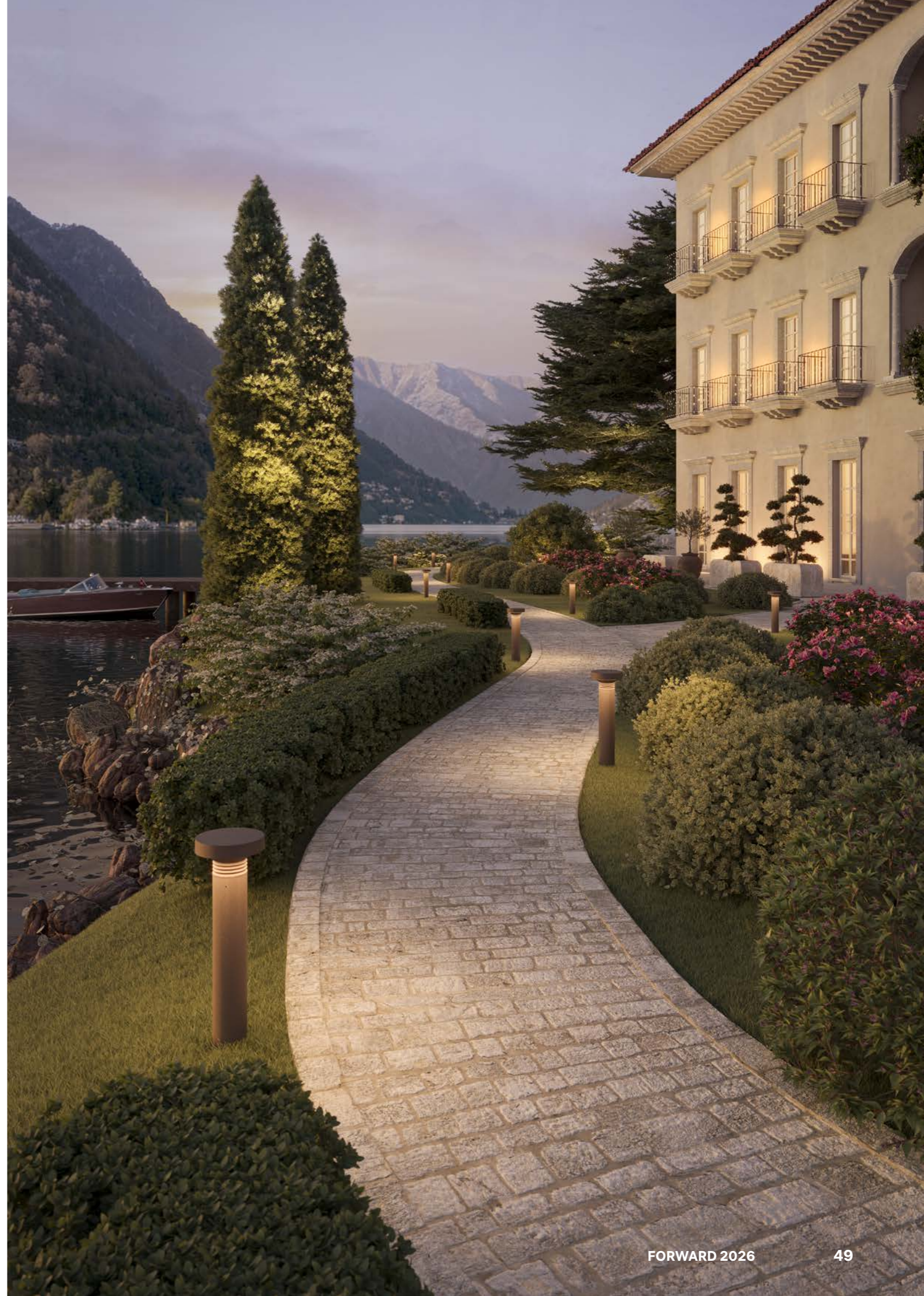
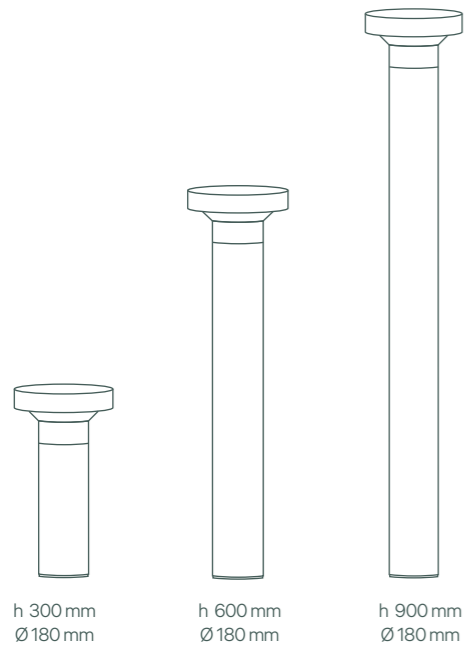


OPTIC CONFIGURATIONS

Available with a smooth or textured collar, to meet different design requirements.

VANDAL-PROOF STRUCTURE

The three internal stainless steel rods reinforce the body and ensure high mechanical strength in public settings.



GENEA

Natural harmony

design Piano Design

Genea interprets outdoor lighting as a balance between light, nature and perception, for hospitality and residential settings. Available in three heights, it is designed to keep the light source out of the field of vision, preventing glare and ensuring comfort in all situations. The soft, even light on the floor is provided by two optic distribution systems that ensure precision and uniformity. The asymmetry of the pole introduces a feeling of directionality and movement, whilst the optic compartment – with its central void and crescent-shaped cut-out – lightens the form, creating a sense of openness and visual breathing space. The LED circuit boarded to the housing via a high-adhesion thermal interface that optimises heat dissipation and extends its working life. A focus on biodiversity ensures that emissions are limited to where they are necessary. Three installation options – spike-mounted, bracket-mounted or with a counter-recess frame – with an adjustable backplate and DALI-2 or Casambi protocols for advanced lighting control, complete this comprehensive, environmentally-friendly system.

Maximum visual comfort – no glare

360° and 180° optics

3 installation options for different surfaces

Designed to last



GENEA

up to 55 lm/W

up to 715 lm

Ø200 mm

H pole: 325 | 575 | 895 mm

Øpole: 18 mm

360° | 180°

2200K | 2700K | 3000K

CRI80

Full Remote

DALI-2 | Casambi

Intelligent Light Solutions

Smart controls:

Quick BLE (Casambi)

Quick DALI

Master Pro Evo

Smart services:

Jiminy - Push notification



Genea available from November 2026



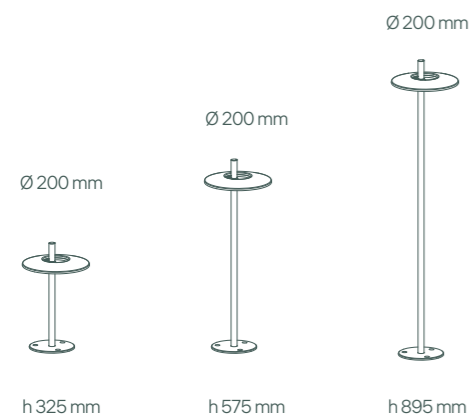


TOTAL VISUAL COMFORT

The light source remains outside the field of vision, whether the observer is sitting, lying or standing, illuminating surfaces without causing glare.

RELIABILITY AND DURABILITY

Die-cast aluminium construction and high-efficiency thermal coupling to ensure stability, durability and consistent performance over time.



PALCO INOUT

Solid thinking

design Artec Studio

Palco InOut has evolved with a new pole-mounted application, bringing high-quality lighting to outdoor spaces and opening up new design potential for gardens, pathways and outdoor areas in the hospitality and residential sectors. Available in three heights, the range now includes the Framer version with a diameter of Ø30 mm, designed to sculpt light with sharp contours and high-precision accents. Opti Beam optic technology, with lens or reflector, offers spot, medium and wide flood light distribution options, highlighting vegetation, building façades and key features of the landscape. The slender, minimalist pole features a swivel joint and a cable guide with soft, understated lines, designed to ensure visual continuity and fluid movement. It can be installed using a ground spike, bracket or counter-recessed frame, and features DALI-2 and Casambi controls for dimming, scene creation and energy optimisation, offering a professional solution for outdoor lighting design.

Up to 25 combinations of optics and accessories

Dual adjustability

Graphic light (framer version)

3 installation options for different surfaces



PALCO INOUT

up to 85 lm/W
 up to 510 lm
 Ø30 mm | Ø30 mm Framer | Ø49 mm
 H pole: 300 | 600 | 900 mm
 Øpole: 14 mm
 Opti Beam Lens | Opti Beam Reflector
 S | M | WF | Framer

2700K | 3000K | 4000K
 CRI80
 Full Remote
 DALI-2 | Casambi

Intelligent Light Solutions

Smart controls:
 Quick BLE (Casambi)
 Quick DALI
 Master Pro Evo
Smart services:
 Jiminy - Push notification



Palco InOut bollard available from May 2026





GRAPHIC LIGHT

The Framer version precisely shapes the beam, creating defined and controlled geometries to highlight architectural details and pathways.



DUAL ADJUSTABILITY

The swivel base and adjustable head ensure flexibility and precision when aiming the light, adapting to any outdoor design requirement.



Palco InOut bollard
Ø 30 mm
h 300 mm

Palco InOut framer bollard
Ø 30 mm
h 300 mm

Palco InOut bollard
Ø 49 mm
h 300 mm

Also available
h 600 mm
h 900 mm



CRYSO

Perfect glow

design Alessandro Scandurra

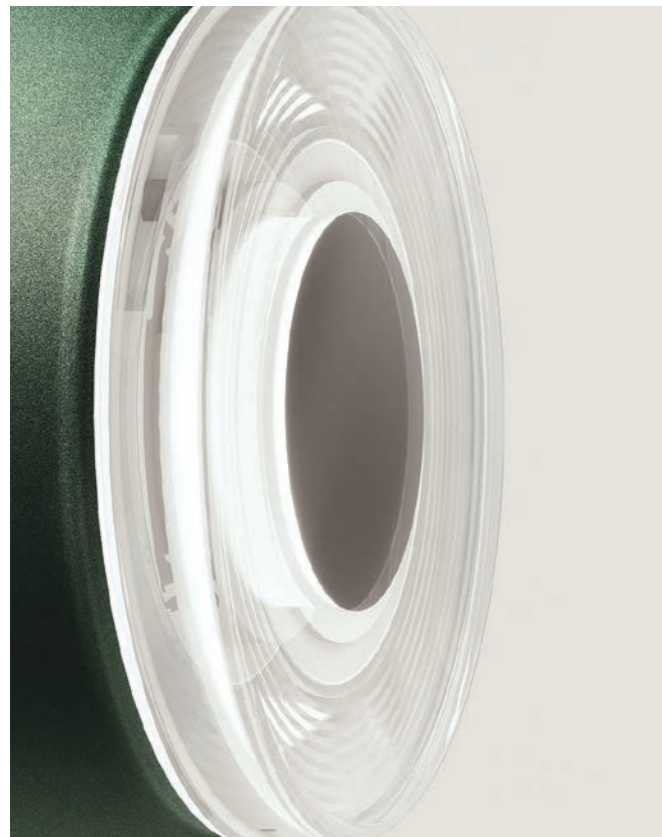
Cryso brings a warm, subtle glow to outdoor hospitality and residential spaces. The light output is diffuse and controlled, offering excellent visual comfort and four colour temperatures for total design flexibility. The screen adds a sense of material richness: when switched off, it reveals depth and texture; when on, it casts a full, even light. Available as a ceiling-mounted, wall-mounted or pendant light, it offers three different lighting modes: Wall R360° creates a radial effect using reflected light; Ceiling General Light illuminates the screen with diffused light; Ceiling Beam Angles features interchangeable optics – spot, medium and flood – for more controlled light distribution, making it ideal for porches and semi-open spaces. The DALI-2 protocol enables dimming and advanced lighting management. With an IP66 and IK07 rating, Cryso guarantees reliability in outdoor environments and is designed to be easily dismantled and repaired, supporting a circular approach.

From radial effect to controlled optics

Smooth and even light

3 types of installation

Easy maintenance



CRYSO

up to 67 lm/W
 up to 550 lm
 Ø163 mm
 GL | R360° | M | F | WF
 2700K | 3000K | 3500K | 4000K
 CRI80
 Integral
 DALI-2

Intelligent Light Solutions

Smart controls:
 Quick DALI
 Master Pro Evo

Cryso will be available from May 2026



A rich, controlled light that lends depth to surfaces and enhances the space with natural elegance.

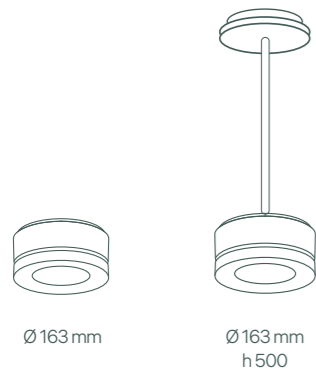




THREE OPTIC SOLUTIONS

A range of technologies to meet different design requirements, from uniform radial distribution to homogeneous distribution, right through to beams with defined angles.

- 1. Wall R360°
- 2. Ceiling Beam Angles
- 3. Ceiling General Light



- Finishes**
- WHITE
 - GREY
 - BLACK
 - RUST BROWN
 - GREEN



Page 39: photo Studio Buschi

Page 41: photo Fabio di Carlo

Creative Direction: 2x4 Inc.
Concept & Art Direction: dogtrot
Graphic execution: XY
Set design: iGuzzini
Render: iGuzzini/Salaposa
Print: Nava Press